

General

HD-EASYMIX is a SD/HD A/B video mixer.

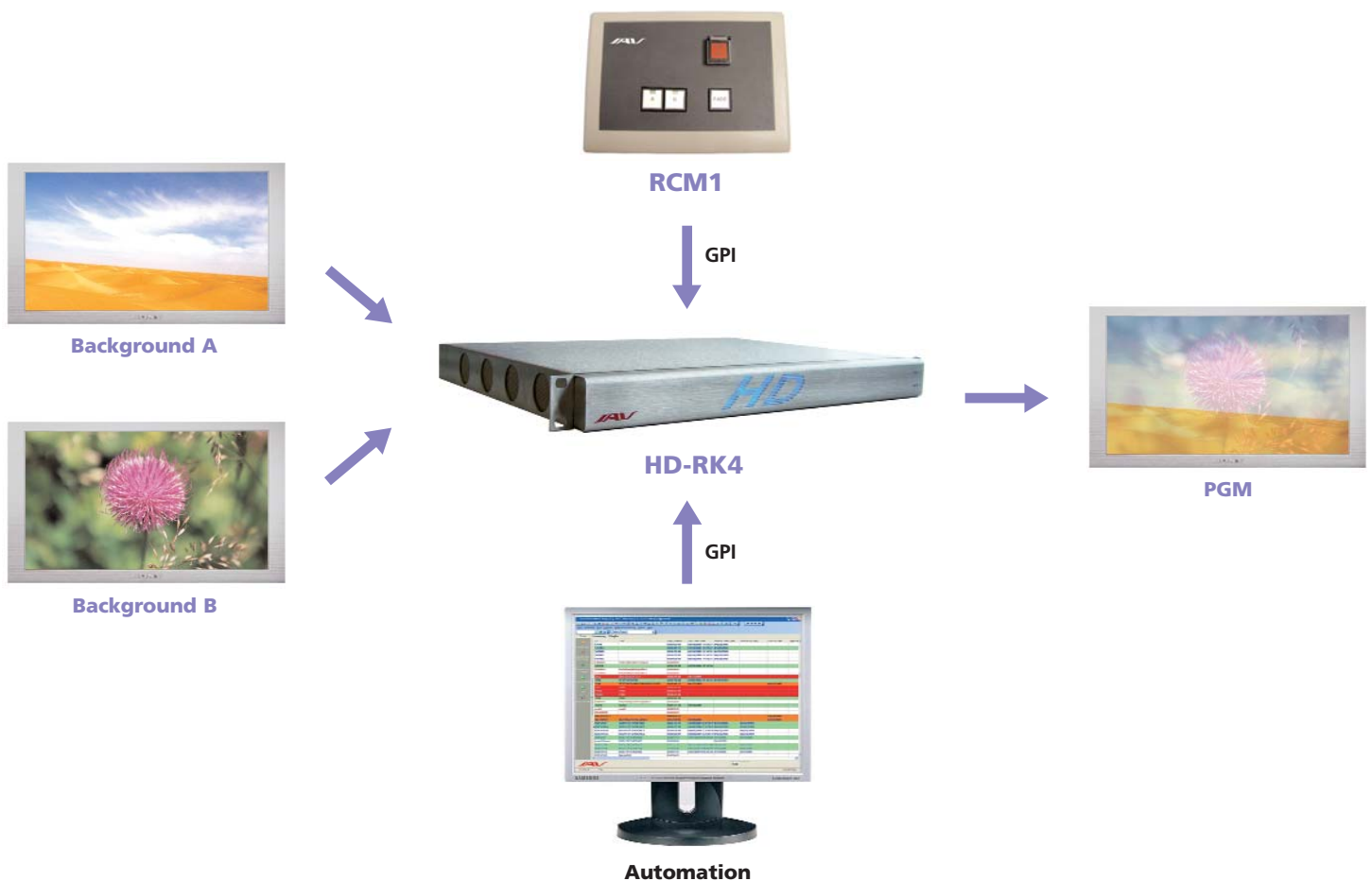
HD-EASYMIX has cut, fade and fade to black transitions.

HD-EASYMIX can be controlled by a remote control panel (RCM1) or by GPI.

HD-EASYMIX can be fitted in a rack frame that comes with automatic by-pass capability as standard and can host up to four boards in only 1U. This rack frame can also be fitted with any SAV HD boards.



HD-EASYMIX



Description

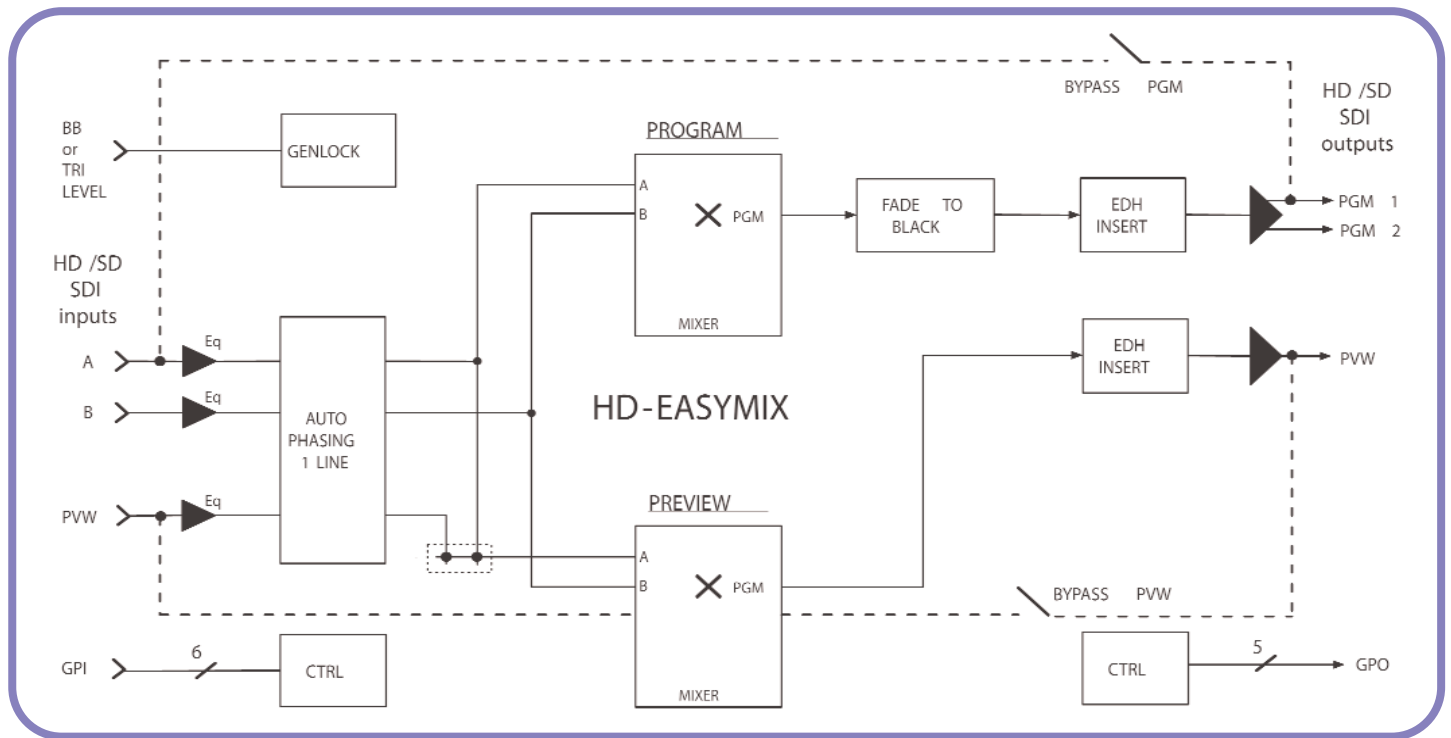
- Broadcast Digital A/B Vision Mixer
- Up to 4 Mixers in a 1U-19" frame
- Can be cascaded together with preview input (for multiple layers)
- Automatic by-pass
- Space saving 1U-19" for 4 HD boards
- 3 HD-SD inputs & 3 HD-SD outputs

Applications

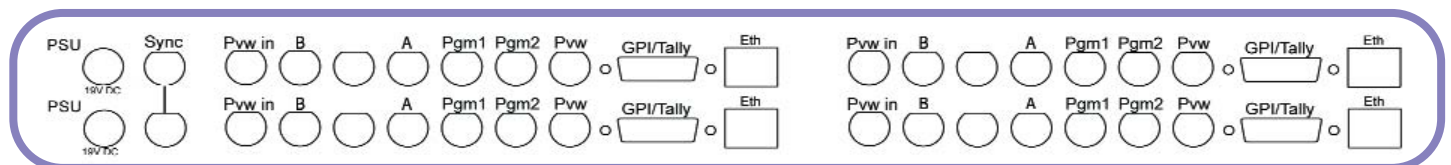
- Emergency mixing
- On-air applications
- Servers

Specifications

- A/B Video Mixer
- SD-SDI (270Mb/s) and HD-SDI (1.485Gb/s) operation
- HD-DSK is multi standards:
 - > SD 625i (EBU BT601)
 - > SD 525i (SMPTE 125M)
 - > HD 1080i/50 (SMPTE 274M-6)
 - > HD 1080i/59.94 (SMPTE 274M-5)
 - > HD 720p/50 (SMPTE 296M-3)
 - > HD 720p/59.94 (SMPTE 296M-2)
- Internal 12 bits
- 1 SDI A input with autophasing 1 line
- 1 SDI Preview input with autophasing 1 line
- 1 SDI B input with autophasing 1 line
- 2 SDI Program outputs
- 1 SDI Program output with by-pass in the rack frame
- 1 SDI Preview output with by-pass in the rack frame
- Transparent for auxiliary data and embedded audio
- Routing audio without mixing
- EDH insertion
 - > Black burst sync for SD and HD
 - > Tri-level sync for HD
- Genlock with horizontal and vertical phasing
- Transition: Cut and Fade
- Fade to black on Program
- 6 GPI
- 5 GPO open collector pull-down Tally
- Up to 4 HD boards in 1U-19" rack frame
- Power supply for rack frame: max 90W, 100V to 250V, 50/60Hz
- Dual redundant PSU (optional)
- CE & FCC Part 15 compliant



Rear Panel HD-RK4



Related products

- **HD-RK4** : Frame (1U-19") for up to 4 boards with 1 power supply (external)
- **RCM1** : Basic remote control, A/B fade and FTB control
- **PW 90** : Spare or redundant power supply for HD-RK4